

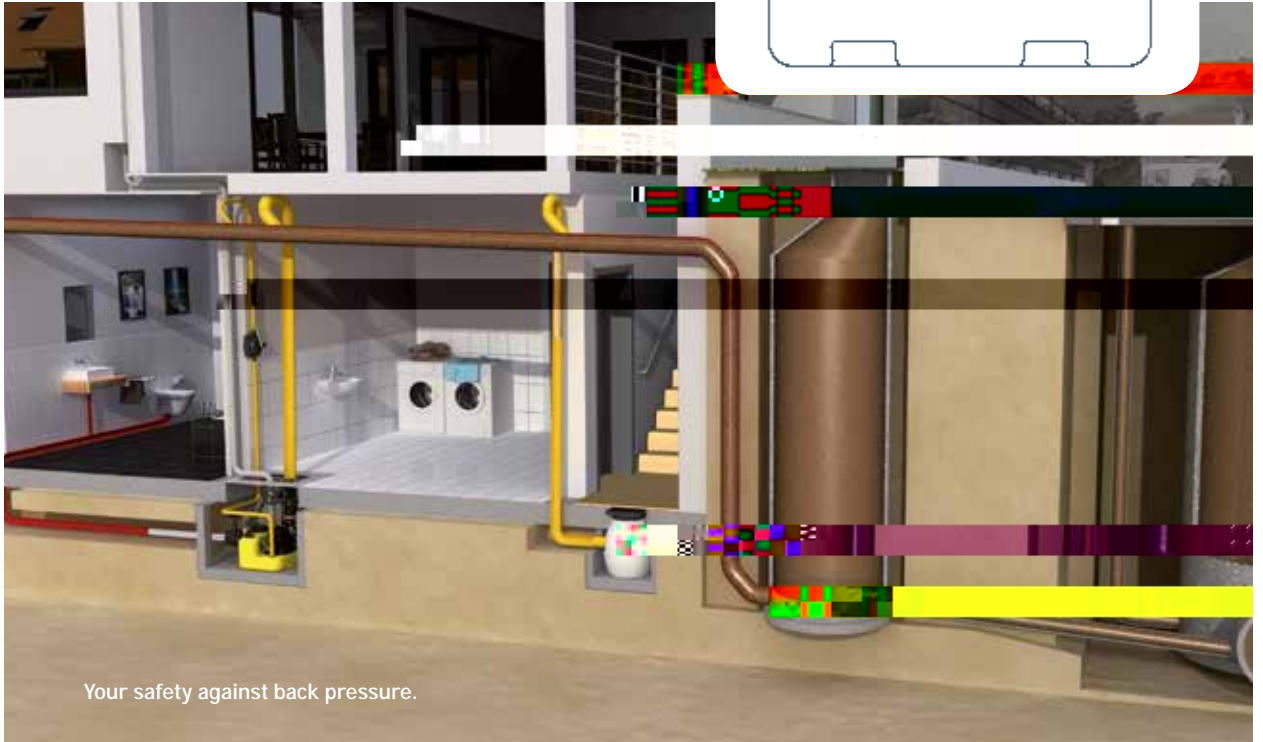
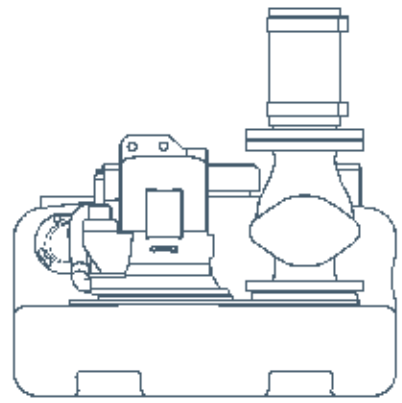


JUNG PUMPEN COMPLI





COMPLI SEWAGE LIFTING STATIONS READY TO PLUG-IN • POWERFUL



Your safety against back pressure.

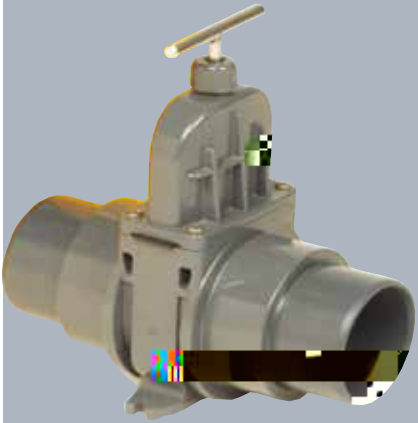
NUMBERS - DATES - FACTS



Height adjustable clamping flange
complli 400



COMPLI SEWAGE LIFTING STATIONS - CONVINC2 0 Td992 0 -1.91 hfQ 1 0 0 7-



PVC inlet sluice valve
DN 100 or DN 150, with pipe sockets
bonded in, for the time-saving and
space-saving direct connection to the
inlet clamping flange.

in 1 Tfseaj0 0 d0 ge

Tax +49 5204 80 09uaTextFEFF0049 0.901 7n/GS0sa

